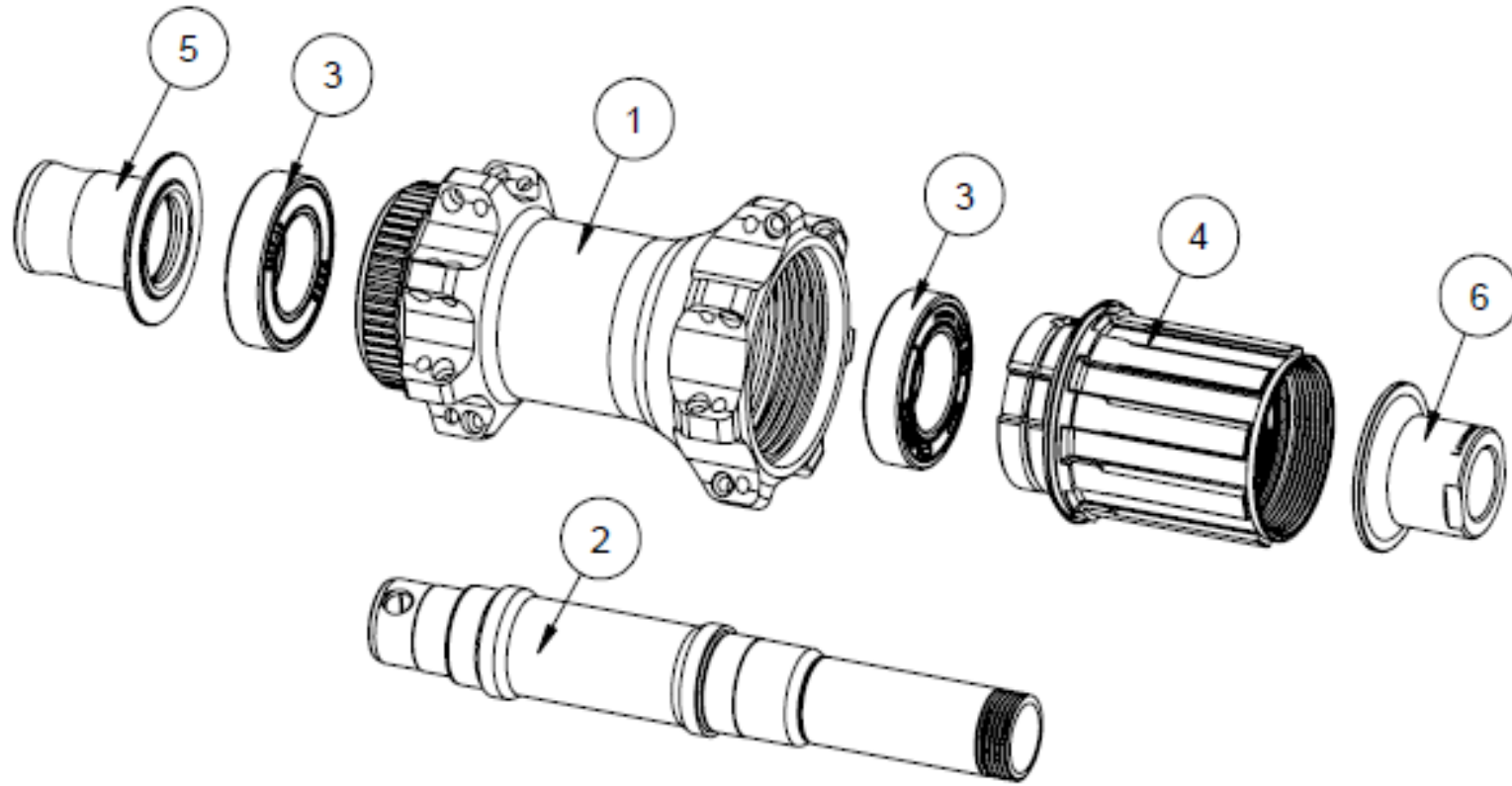


# FORMULA ENGINEERING INC.

## MODEL : TC-72S



TC-72S			
P/N	FORMULA PN	Q'TY	COMPONENT
1	CNC-R-0520	1	HUB SHELL
2	AXLE-0447	1	ALLOY AXLE
3	SB-6903	2	SEAL BEARING
4	FH-521	1	FREEHUB
5	DWG-1075	1	END CAP
6	DWG-0761	1	END CAP

POS#	MODEL	PARTS INCLUDED	Q'TY
AX-2241	AXLE KIT	3	2PCS EACH
		2.5.6	1PC EACH
FH-521	FREEHUB KIT	4.6	1PC EACH