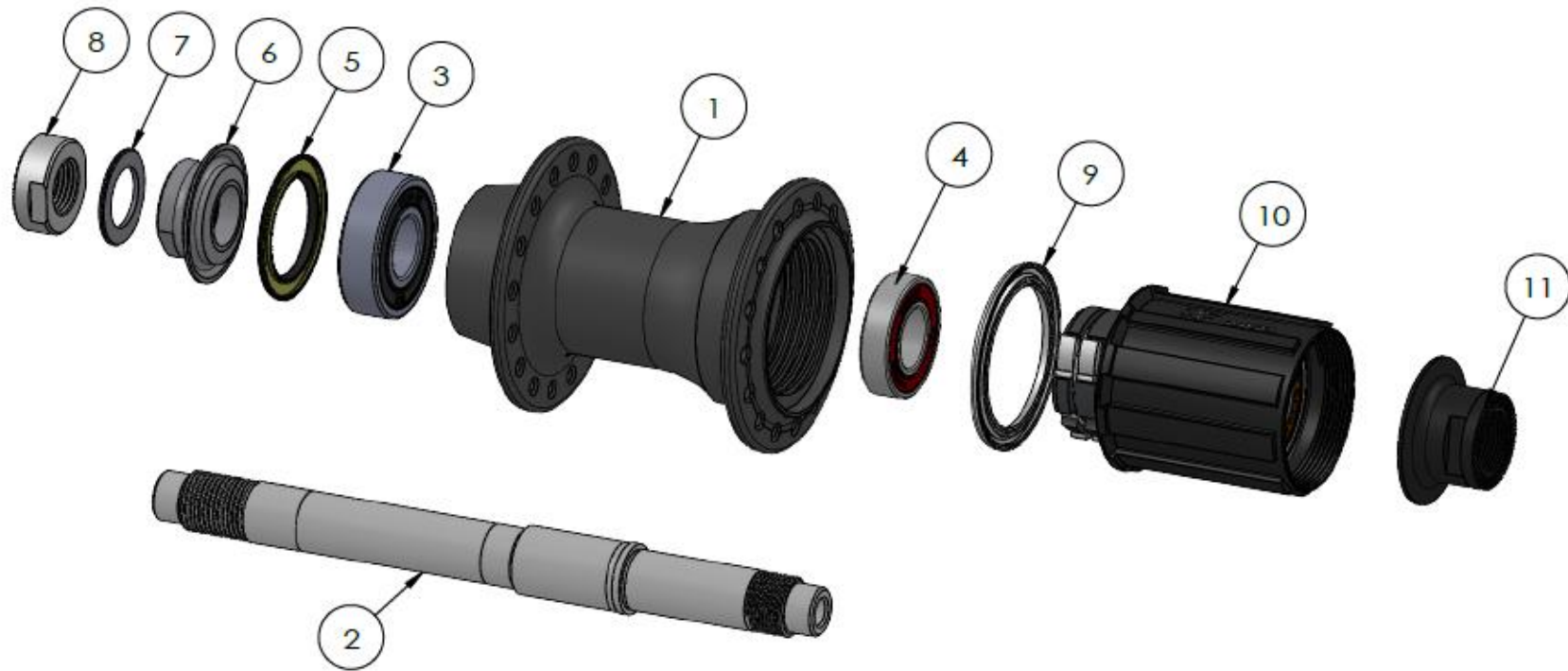


# FORMULA ENGINEERING INC.

MODEL : RB-3811



| RB-3811 |            |      |              |
|---------|------------|------|--------------|
| P/N     | FORMULA PN | Q'TY | COMPONENT    |
| 1       | CNC-R-0471 | 1    | HUB SHELL    |
| 2       | AXLE-0298  | 1    | ALLOY AXLE   |
| 3       | SB-6001    | 1    | SEAL BEARING |
| 4       | SB-6901    | 1    | SEAL BEARING |
| 5       | DWG-0137   | 1    | SEAL         |
| 6       | DWG-0534   | 1    | END CAP      |
| 7       | DWG-0535   | 1    | WASHER       |
| 8       | DWG-0533   | 1    | NUT          |
| 9       | DWG-0164   | 1    | SEAL         |
| 10      | FH-210     | 1    | FREEHUB      |
| 11      | DWG-0567   | 1    | END CAP      |

| POS#    | MODEL       | PARTS INCLUDED     | Q'TY      |
|---------|-------------|--------------------|-----------|
| AX-2171 | AXLE KIT    | 2.3.4.5.6.7.8.9.11 | 1 PC EACH |
| FH-210  | FREEHUB KIT | 10.11              | 1 PC EACH |