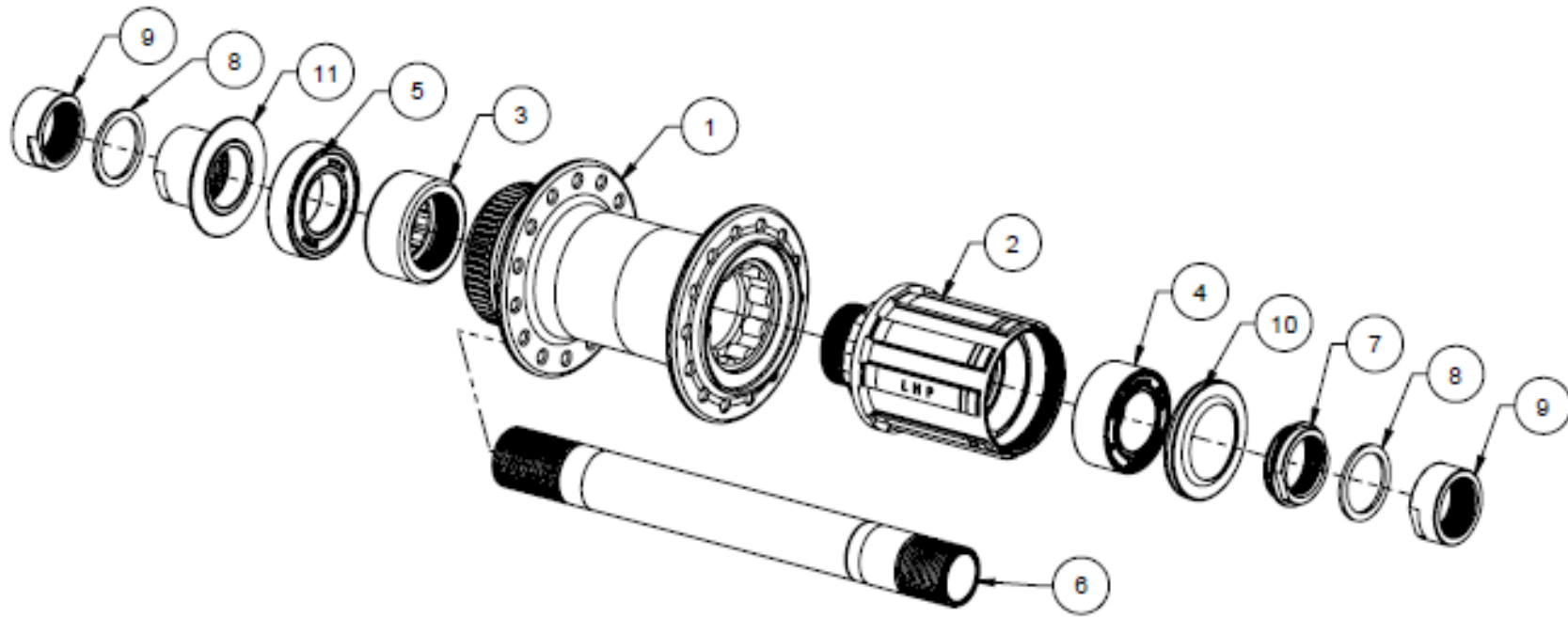


# FORMULA ENGINEERING INC.

MODEL : RXC-400



RXC-400			
P/N	FORMULA PN	Q'TY	COMPONENT
1	CNC-R-0605	1	HUB SHELL
2	FH-117K	1	FREEHUB
3	DWG-0454	1	NUT
4	DRB-2615	1	SEAL BEARING
5	SB-6902	1	SEAL BEARING
6	AXLE-0444A	1	STEEL AXLE
7	DWG-1469	1	NUT
8	DWG-1066	2	WASHER
9	DWG-1064	2	NUT
10	DWG-1466	1	SEAL
11	DWG-1087	1	NUT

POS#	MODEL	PARTS INCLUDED	Q'TY
AX-2154	AXLE KIT	8.9	2PCS EACH
		3.4.5.6.7.10.11	1PC EACH
FH-117K	FREEHUB KIT	2.3.4.7.8.9.10	1PC EACH