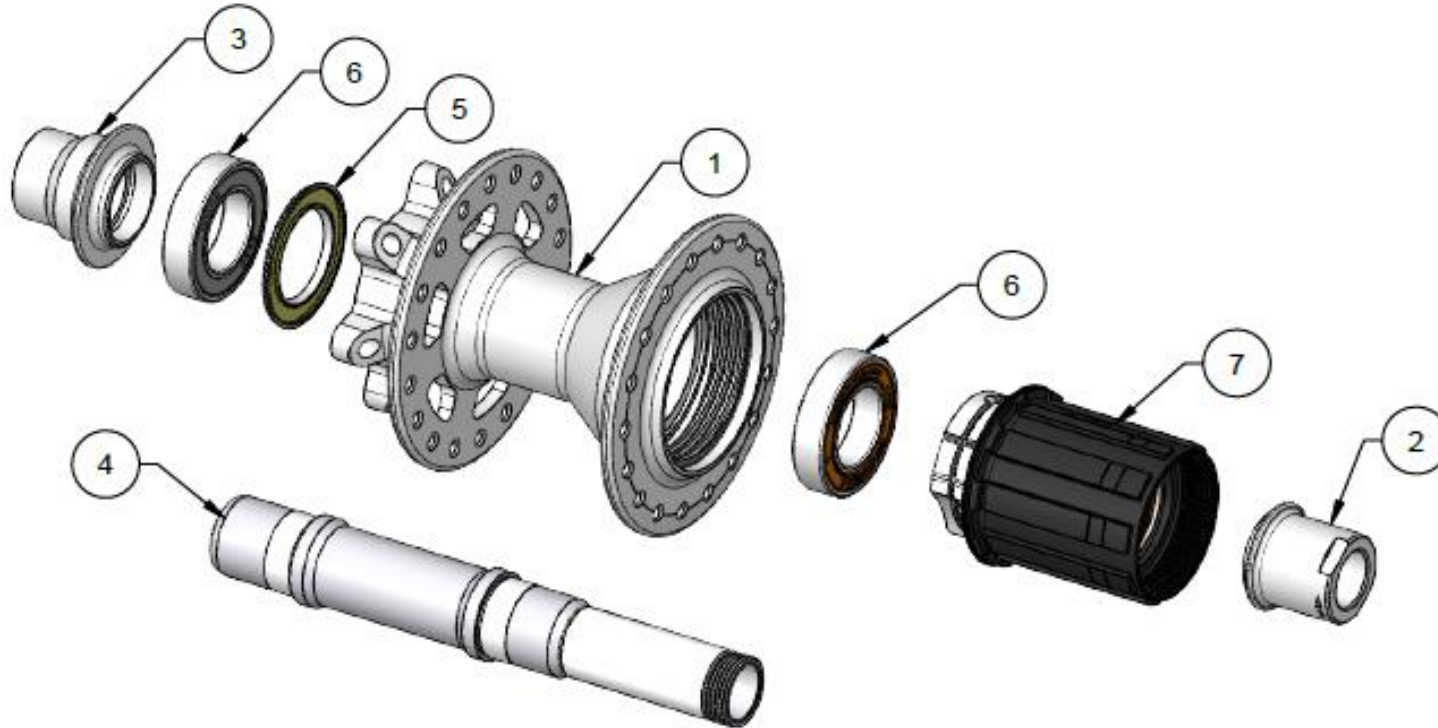


FORMULA ENGINEERING INC.

MODEL : RX-300



RX-300			
P/N	FORMULA PN	Q'TY	COMPONENT
1	CNC-R-0528	1	HUB SHELL
2	DWG-0910	1	END CAP
3	DWG-1309	1	END CAP
4	AXLE-0065	1	ALLOY AXLE
5	DWG-0131	1	SEAL
6	SB-6903	2	SEAL BEARING
7	FH-536	1	FREEHUB

POS#	MODEL	PARTS INCLUDED	Q'TY
AX-2242	AXLE KIT	6	2PCS EACH
		2.3.4.5	1PC EACH
FH-536	FREEHUB KIT	2.7	1PC EACH