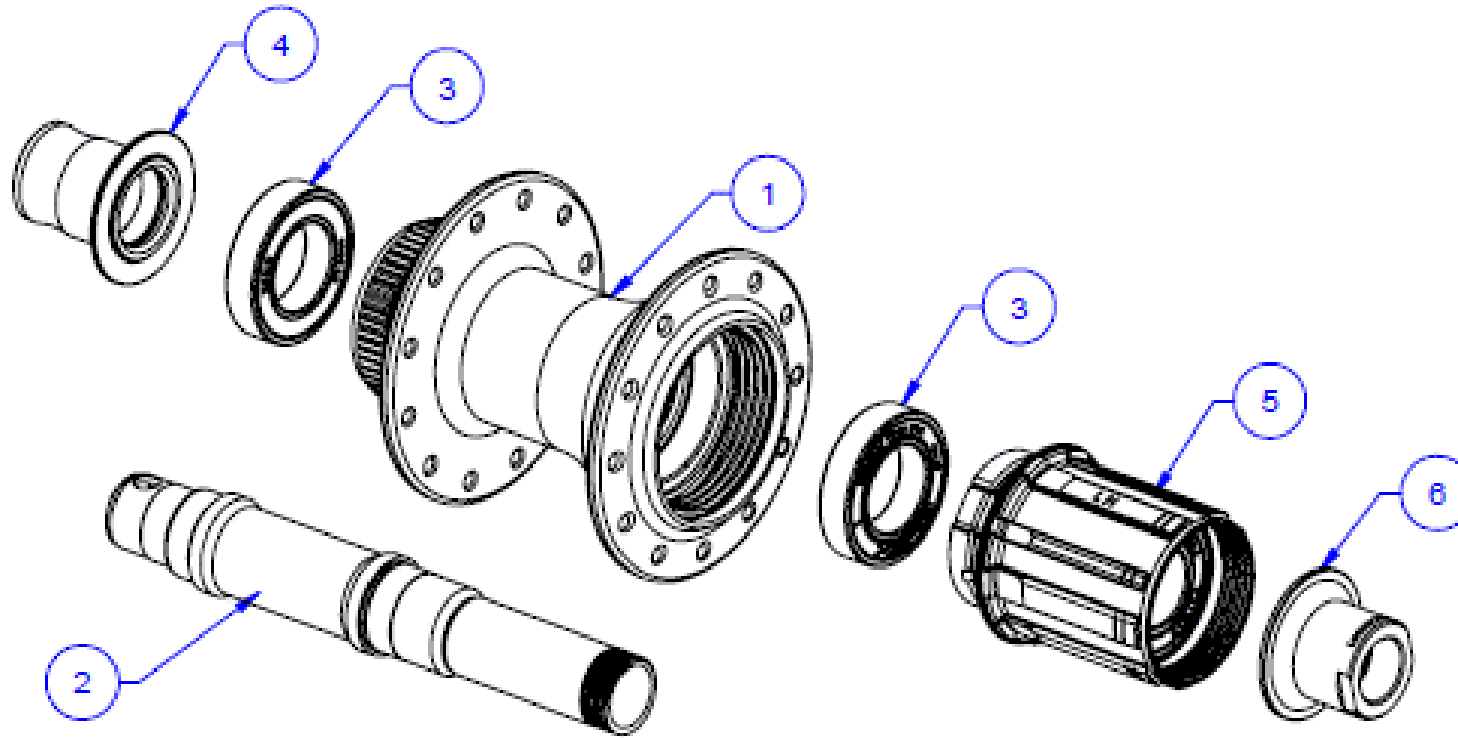


FORMULA ENGINEERING INC.

MODEL : RXC-142S



RXC-142S			
P/N	FORMULA PN	Q'TY	COMPONENT
1	CNC-R-0523	1	HUB SHELL
2	AXLE-0447	1	ALLOY AXLE
3	SB-6903	2	SEAL BEARING
4	DWG-1075	1	END CAP
5	FH-528	1	FREEHUB
6	DWG-0761	1	END CAP

POS#	MODEL	PARTS INCLUDED	Q'TY
AX-2101	AXLE KIT	3	2PCS EACH
		2.4.6	1PC EACH
FH-528	FREEHUB KIT	5.6	1PC EACH